

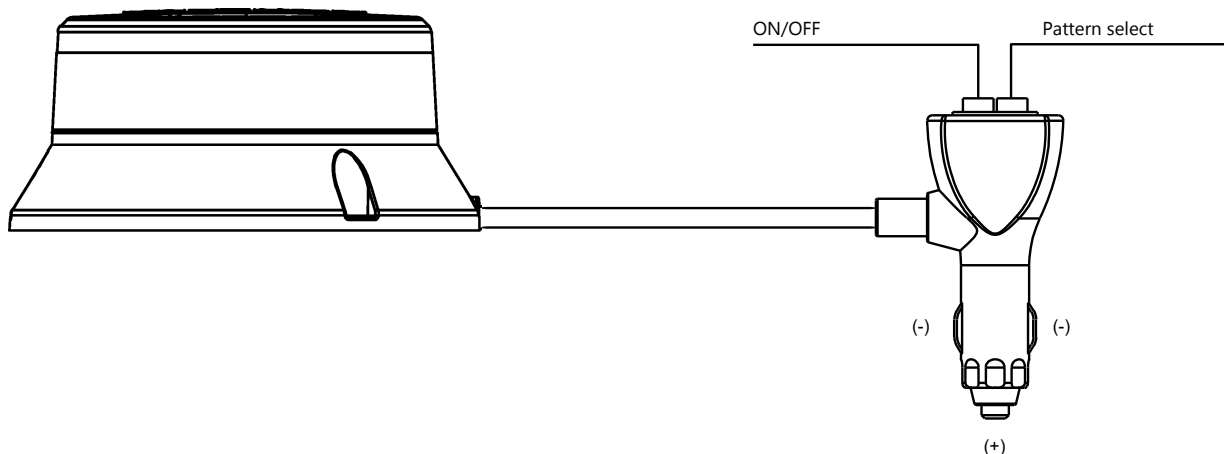
strands®

-lighting division

MANUAL

AMBRA WARNING LIGHT MAGNET + CIG PLUG LED

RED = +VDC (BOTTOM)
BLACK = - NEGATIVE (SIDES)



PATTERNS	PATTERN DESCRIPTION	FLASH RATE
1	Single Flash,ECE R65 Class 1 (by night)	125FPM
2	Single Flash	75FPM
3	Double Flash	125FPM
4	Triple Flash	125FPM
5	Quadruple Flash	125FPM
6	Quintuple Flash	125FPM
7	Rotating	N/A
8	Combination Single / Triple Flash	N/A
9	Combination Single / Qunit Flash	N/A
10	Strobe	600FPM
11	Cruise(30% brightness by night)	N/A

Part no. 850932

Contact us if you need support: support@strands.se or +46(0)320-450450



www.strands.se
 www.strandseurope.com