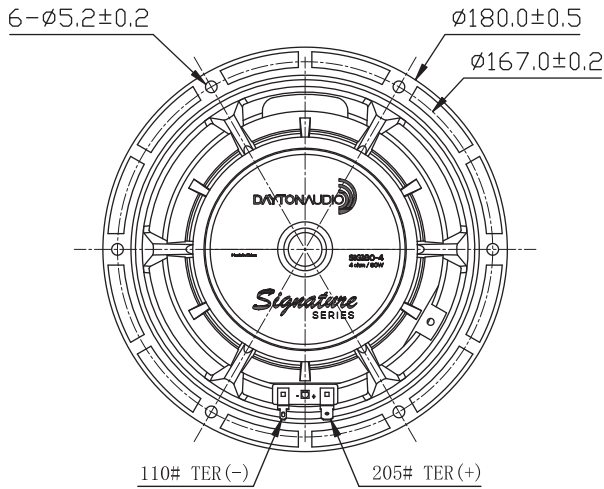
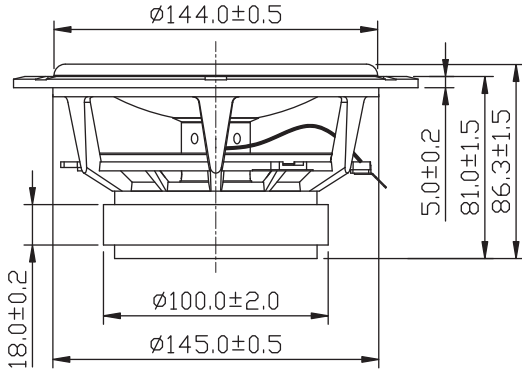




6-1/2" Signature Series Woofer 80W 4 Ohm

SIG180-4

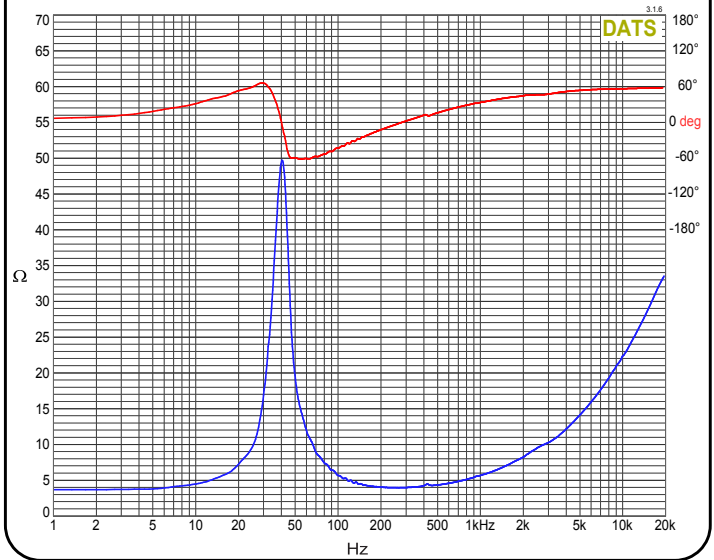


PARAMETERS

Impedance	4 ohms
Re	3.7 ohms
Le	0.47 mH
Fs	40.5 Hz
Qms	5.19
Qes	0.41
Qts	0.38
Mms	19.2g
Cms	0.81 mm/N
Sd	143 cm ²
Vd	71.5 cm ³
BL	6.6 Tm
Vas	23.2 liters
Xmax	5 mm*
VC Diameter	31.8 mm
SPL	91.0 dB @ 2.83V/1m
RMS Power Handling (AES 426B)	80 watts
Usable Frequency Range (Hz)	40 – 4,000 Hz

*Xmax @ 82% BL

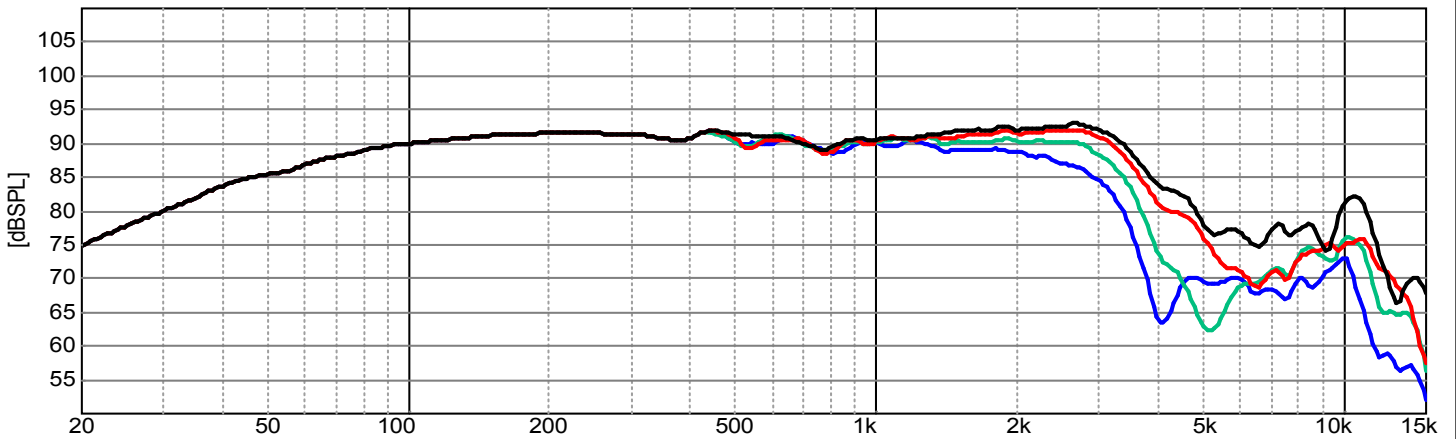
IMPEDANCE/PHASE



FEATURES

- Extensive Klippel LMP and LSI testing to optimize BI symmetry and parameters
- One piece concave black anodized aluminum cone
- Indexed cone/surround junction for smooth transition/frequency response
- Polyimide formers and aluminum sleeve for improved inductance, damping, and frequency response
- Vented former and elevated spider for improved air flow
- Open aluminum cast frame for improved heat dissipation
- Countersunk stainless steel magnet badging for long time aesthetics

FREQUENCY RESPONSE



OmniMic

Frequency Response -freq [Hz]

Note: 1/24th octave smoothing - near field response included in graph below 450 Hz.

Black = 0°
Red = 15°
Green = 30°
Blue = 45°